

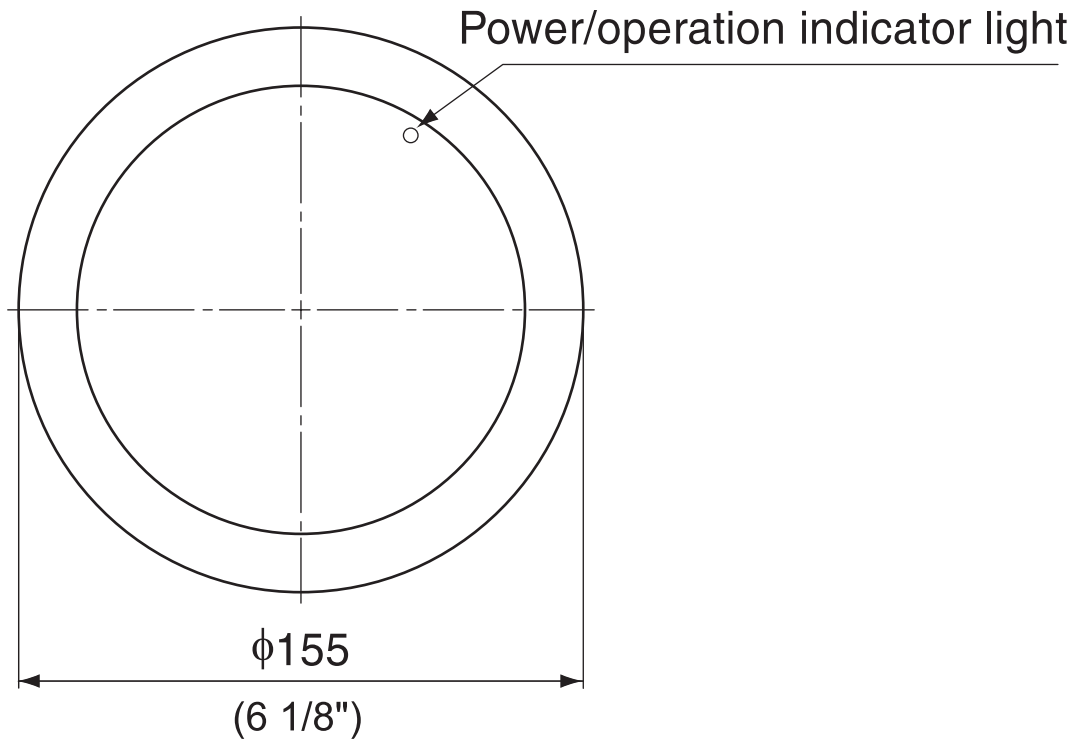
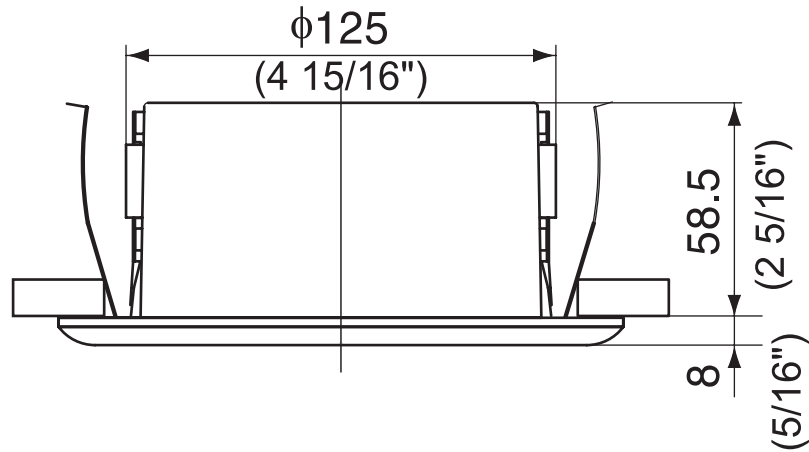
[mm / ft,inch]

Mounting height A		2200 7'2 5/8"	2500 8'2 7/16"	3000 9'10 1/8"	3500 11'5 13/16"	4000 13'1 1/2"
Depth	B	390 1'1 3/8"	440 1'5 5/16"	530 1'8 7/8"	620 2' 7/16"	710 2' 3 15/16"
	C	770 2'6 5/16"	860 2'9 7/8"	1030 3'4 9/16"	1200 3'11 1/4"	1380 4'6 5/16"
	D	960 3'1 13/16"	1090 3'6 15/16"	1310 4'3 9/16"	1530 5' 1/4"	1750 5'8 7/8"
Width	E	2200 7'2 5/8"	2520 8'3 3/16"	3030 9'11 5/16"	3540 11'7 3/8"	4040 13'3 1/6"
	F	1780 5'10 1/16"	2030 6'7 15/16"	2440 8' 1/16"	2850 9'4 3/16"	3250 10'7 15/16"
	G	1320 4'3 15/16"	1500 4'11 1/16"	1800 5'10 7/8"	2100 6'10 11/16"	2400 7' 10 1/8"
Distance to the door	Z	160 6 5/16"	100 3 15/16"	60 2 3/8"	10 3/8"	-20* -13/6"

Model	: OA-70C
Cover Colour	: Silver/White
Mounting Height	: 2.0(6'6 3/4") to 4.0(13'1 1/2")m
Detection Area	: See the chart in ADJUSTMENT
Detection Method	: Active Infrared Reflection
Detection Area	: Depth -6° to 8°
Adjustments	Width -10° to +10°
Power Supply	: 12(-5%) to 24V(+10%) AC 12(-5%) to 30V(+10%) DC
Power Consumption	: <4VA, <200mA(12VDC)
Operation Indicator	: Green: Stand-by Red: 1st Row Detection Active Orange: 2nd-4th Row Detection Active
Output	: "Form C" relay 50V 0.3A max. (resistance load)
Relay Hold Time	: Approx. 0.5 sec.
Response Time	: <0.3sec
Operating Temperature	: -20°C to +55°C (-4° F to +131°F)
Weight	: 340g (12oz)
Accessories	: 1 Mounting Template, 1 Cable 3m(9'10"), 1 Operation Manual

Recommended diameter of a mounting hole: $\phi 130\text{mm}$

Required ceiling thickness for mounting: 2 to 24mm



UNIT: mm (inch)